

TYPE DR-A, F-37
DIAPHRAGM TYPE BACK PRESSURE VALVES

BULLETIN: BPV-6a
ISSUED: MAY 7, 1991
Supersedes Page No.: BPV-6
Dated: 10-4-79

APPLICATION: TYPE DR-A

Diaphragm type back pressure regulator, for service on air, water, oil and other non-corrosive liquids and gases; automatically maintains constant set pressure on valve inlet, discharging to atmosphere or a lower pressure system at valve outlet. Low pressure control up to 25 psi. For pressures of 5 psi or less, Type DR will be furnished; same as DR-A with slight modification.

CONSTRUCTION:

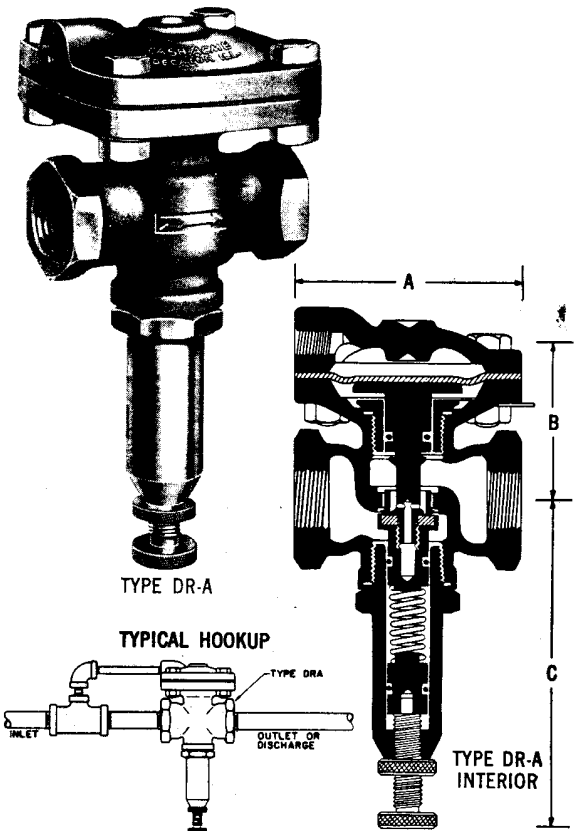
Bronze body, chrome plated bronze body seat, Buna "N" diaphragm, composition seat disc, long, light, sensitive adjusting spring, indexable four position diaphragm connection, large port—good capacity.

DIMENSIONS:

TYPE	PIPE SIZE (Inches)		DIMENSIONS (Inches)			SHIP. WT. (Pounds)
	IN-OUT	DIAPHRAGM	A	B	C	
DR-A	1/2	1/8	2 7/8	1 1/4	4 3/8	3 1/2
DR-A	3/4	1/8	2 7/8	1 1/4	4 3/8	3 1/2
DR-A	1	1/4	5 7/8	3 1/2	5 3/4	13
DR-A	1 1/4	1/4	5 7/8	3 1/2	5 3/4	13

HOW TO ORDER:

To order, specify CASH-ACME Type DR-A back pressure control valve; state range of adjustment, factory setting, pipe size, outlet pressure, if any, and fluid to be controlled (approximate flow rate helpful).



APPLICATION: TYPE F-37

Diaphragm-type, straight-through back pressure valve with side inlets, bottom outlet. Protects systems and equipment from excessive pressures; for service on air, water and other liquids and gases except steam. Write factory for specific advice.

CONSTRUCTION:

Cast bronze body and spring chamber, phosphor-bronze diaphragm, bronz-nickel-chrome body seat, renewable composition seat disc and oil tempered steel spring. Full pipe-size outlet discharge, use as angle valve by plugging one inlet. Relief setting from 10 to 125 psi. Maximum temperature, 200° F.

DIMENSIONS:

TYPE	PIPE SIZE (Inches)	DIMENSIONS (Inches)			SHIP. WT. (Pounds)
		A	B	C	
F-37	1/2 only	3 3/4	4 1/4	1 1/4	2 1/4

HOW TO ORDER:

To order, specify CASH-ACME Type F-37 back pressure valve, type of service or fluid to be handled, factory setting and range of adjustment desired, outlet pressure (if any), also state capacity requirements—approximately if not definite. Three different pressure springs are available having the following adjustable ranges: 10-30 lbs., 20-80 lbs., and 75-125 lbs.

